

# **SORTER ADAPTER TYPE G**

## **(A328)**

# PARTS CATALOG

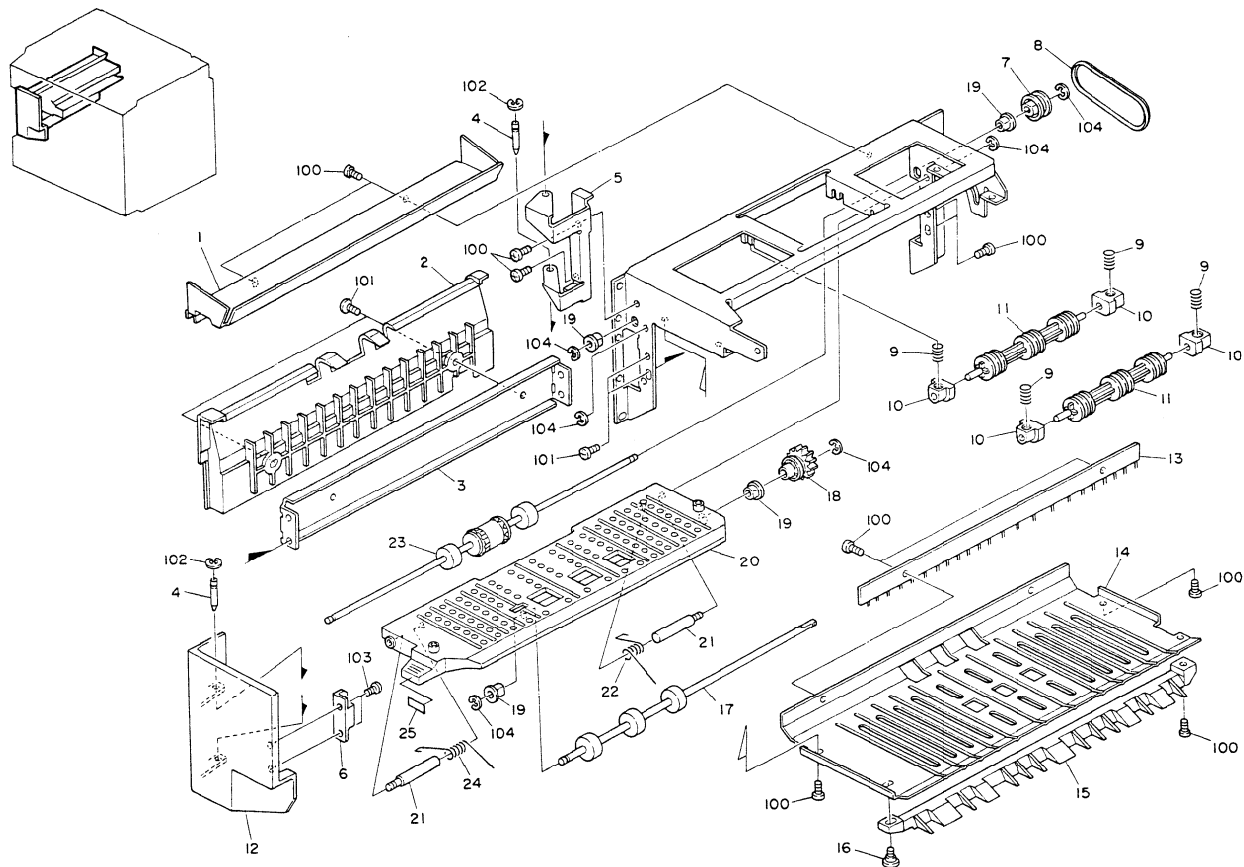
## INTRODUCTION

This chapter instructs you the numbers and names of these parts on this machine.

## INDEX to PARTS CATALOG

1. Sorter Adapter Type G (A328) .....	2
<b>Parts Index</b> .....	<b>4</b>

# 1. SORTER ADAPTER TYPE G (A328)



### 1. SORTER ADAPTER TYPE G (A328)

Index No.	Part No.	Description	Q'ty per Assembly
1	A328 1162	Upper Exit Cover	1
2	A328 1090	Exit Guide	1
3	A328 1085	Exit Stay	1
4	A019 1286	Pin - Hinge (A4)	2
4	AA14 5180	Pin - Hinge (LT)	2
5	A328 1163	Cover Hinge	1
6	AG07 0004	Magnet Catch	1
7	AB03 2040	Pulley - 16Z	1
8	AA04 2007	Rubber Ring	1
9	AA06 3164	Pressure Spring	4
10	AA08 0034	Bushing - 4x5x7	4
11	AF04 0035	Upper Roller	2
12	A328 1151	Sorter Adapter Cover	1
13	AA12 0005	Antistatic Brush	1
14	A328 1065	Upper Guide Plate	1
15	A328 1080	Entrance Guide	1
16	5403 2075	Stepped Screw	1
17	AF04 0034	Lower Roller	1
18	AB01 7186	Gear - 15Z	1
19	5053 0447	Bushing - 6mm	4
20	A328 1070	Lower Guide Plate	1
21	AA14 5138	Guide Shaft	2
22	AA06 6131	Rear Spring	1
23	AF04 0033	Exit Roller	1
24	AA06 6130	Front Spring	1
25	AA00 1298	Decal	1

Index No.	Part No.	Description	Q'ty per Assembly
100	0434 0080W	Tapping Screw - M4x8	
101	0802 5094	Tapping Truss Head Screw - M4x8	
102	0720 0030E	Retaining Ring - M3	
103	0434 0082W	Tapping Screw - M4x8	
104	0720 0040E	Retaining Ring - M4	

# **PARTS INDEX**

Part No.	Description	Paper and Index No.
A328 1065	Upper Guide Plate	3- 14
A328 1070	Lower Guide Plate	3- 20
A328 1080	Entrance Guide	3- 15
A328 1085	Exit Stay	3- 3
A328 1090	Exit Guide	3- 2
A328 1151	Sorter Adapter Cover	3- 12
A328 1162	Upper Exit Cover	3- 1
A328 1163	Cover Hinge	3- 5

Part No.	Description	Paper and Index No.
AA00 1298	Decal	3- 25
AA04 2007	Rubber Ring	3- 8
AA06 3164	Pressure Spring	3- 9
AA06 6130	Front Spring	3- 24
AA06 6131	Rear Spring	3- 22
AA08 0034	Bushing - 4x5x7	3- 10
AA12 0005	Antistatic Brush	3- 13
AA14 5138	Guide Shaft	3- 21
AB01 7186	Gear - 15Z	3- 18
AB03 2040	Pulley - 16Z	3- 7
AF04 0033	Exit Roller	3- 23
AF04 0034	Lower Roller	3- 17
AF04 0035	Upper Roller	3- 11
AG07 0004	Magnet Catch	3- 6
A019 1286	Pin - Hinge	3- 4
5053 0447	Bushing - 6mm	3- 19
5403 2075	Stepped Screw	3- 16
0434 0080W	Tapping Screw - M4x8	3-100
0434 0082W	Tapping Screw - M4x8	3-103
0720 0030E	Retaining Ring - M3	3-102
0720 0040E	Retaining Ring - M4	3-104
0802 5094	Tapping Truss Head Screw - M4x8	3-101